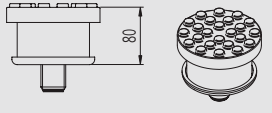


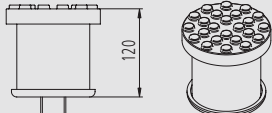
- ACCESSORI PER DUE COLONNE • ACCESSORIES FOR 2 POST LIFT • ZUBEHÖR FÜR 2-SÄULEN-HEBEBÜHNEN
- ACCESSORIES POUR DEUX COLONNES • ACCESORIOS PARA DOS COLUMNAS

### STANDARD ARMS


S121A19	S121A18	S121A7	M30 THREAD CAPACITY ≤3200 kg
S235A1	S235A2	S235A3	M33 THREAD CAPACITY >3200 kg



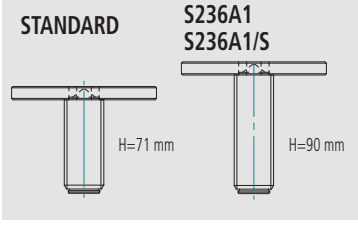
H=80mm  
4xkit



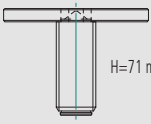
H=120mm  
4xkit



H=200mm  
4xkit



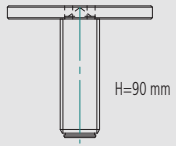
STANDARD



H=71 mm

Standard Arms  
M30 thread

S236A1  
S236A1/S



H=90 mm

Special for  
Renault Talisman,  
Espace

For Fiat Ducato, Peugeot Boxer, Citroën Jumper  
Distanziali / Spacers / Abstandstücke / Rehausses / Espesores

S224A3	S224A4	S370A18	K - LIK - LIKT ARMS Ø 45mm
S370A7	S370A8	S370A15	70LIK ARMS Ø 60mm
	S224RA4		R ARMS Ø 55mm



H=80mm  
4xkit



H=140mm  
4xkit



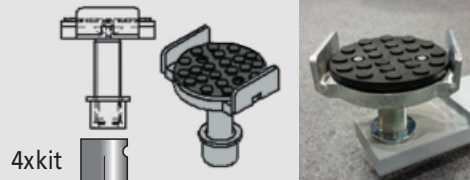
H=200mm  
4xkit



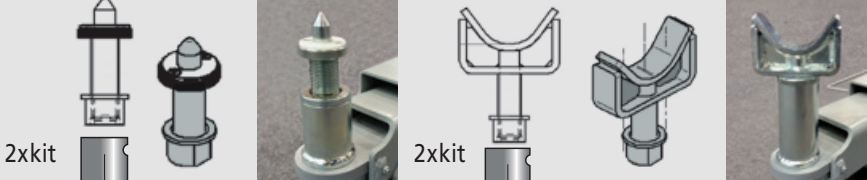
QUICK FIT SYSTEM

For Fiat Ducato, Peugeot Boxer, Citroën Jumper  
Distanziali / Spacers / Abstandstücke / Rehausses / Espesores

S370A19 → S224A3 - S224A4 - S370A18 - Ø 45mm	S370A17 → S224A3 - S224A4 - S370A18 - Ø 45mm
S370A16 → S370A7 - S370A8 - S370A15 - Ø 60mm	S370A14 → S370A7 - S370A8 - S370A15 - Ø 60mm



4xkit



2xkit

Supporti presa telaio / Frame adapters / Halterungen für Chassisaufnahme / Supports prise sur chassis / Espesores de agarre sobre chasis

For Mercedes Sprinter, VW LT+Crafter  
Supporti / Adapters / Halterungen / Supports / Adaptadores de agarre

S5.337 A2

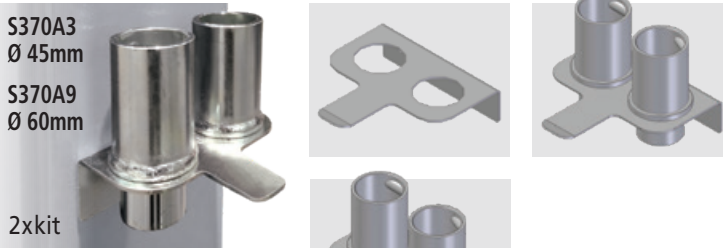


2xkit

Supporti presa telaio / Frame adapters / Halterungen für Chassisaufnahme / Supports prise sur chassis / Espesores de agarre sobre chasis

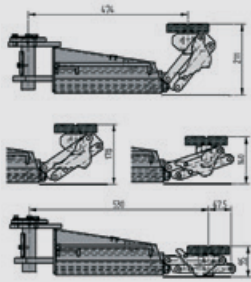
S370A3  
Ø 45mm

S370A9  
Ø 60mm



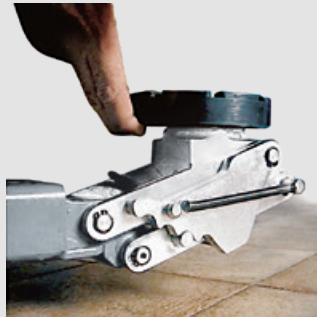
2xkit

Kit supporto distanziali  
Spacer supports  
Satz Halterung Distanzhülsen  
Supports pour rehausses  
Soportes para espesores



## MULTI HEIGHT PAD

CAPACITY ≤3500kg



S305A14  
S336A1  
S234A1

### Tampori Estensibili

- 4 altezze (95, 140, 178, 211mm)
- posizionamento rapido
- si alza con due dita e scende tirando il cavalletto
- ulteriore regolazione a vite di 40mm

### Tampons Extensibles

- 4 hauteurs (95, 140, 178, 211mm)
- positionnement rapide
- levage avec deux doigts et descente en tirant le câble
- réglage ultérieur à vis de 40mm

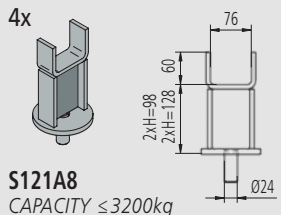
### Flip-up Pads

- 4 heights (95, 140, 178, 211mm)
- quick positioning
- two fingers to push up the pad and lowering by pulling the cable
- further 40mm screw adjustment

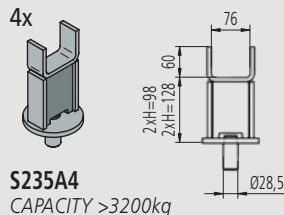
### Tacos Extensibles

- 4 alturas (95, 140, 178, 211mm)
- colocación rápida
- se levanta con dos dedos y se baja tirando el cable
- 40mm más de altura ajustables a rosca

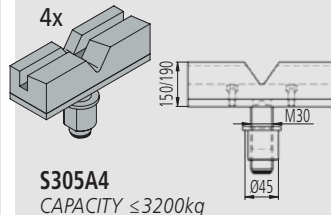
- S305A14/S Fornito installato in fabbrica in sostituzione dei tamponi esistenti
- S336A1/S Fitted in factory instead of standard pads
- S234A1/S Satz Aufnahmen wie ohne /S Satz bereits werkseitig montiert
- S370A2/S Fournis installés en remplacement des tampons existants
- S5.337A7X2/S Tacos suministrado ya instalados en lugar de los tacos normales



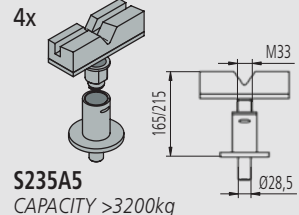
S121A8  
CAPACITY ≤3200kg



S235A4  
CAPACITY >3200kg

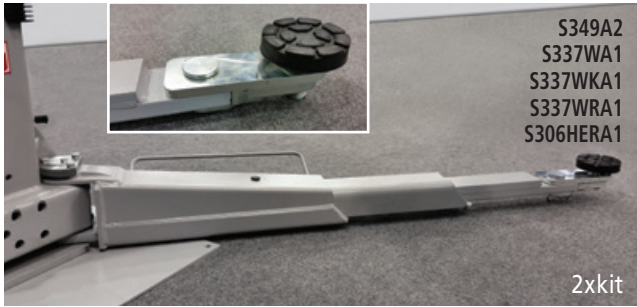


S305A4  
CAPACITY ≤3200kg



S235A5  
CAPACITY >3200kg

### For Mercedes 460 range



S349A2  
S337WA1  
S337WKA1  
S337WRA1  
S306HERA1

2xkit



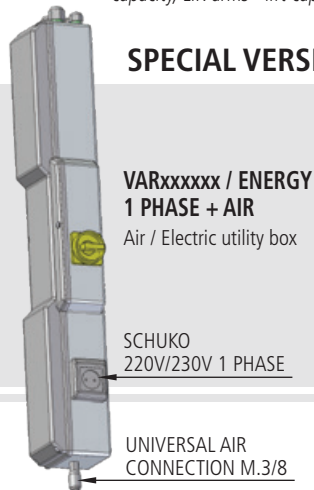
S370A5  
S5.337A9

2xkit

Arm Extension (→For baseless lift, electromechanical synchronization, 4,2 ton capacity, LIK arms - lift capacity reduced to 3,5ton)

Set parasportelli / Set of door protections / Satz Türanschläge / Kit protection portes / Juego de protecciones para puertas.

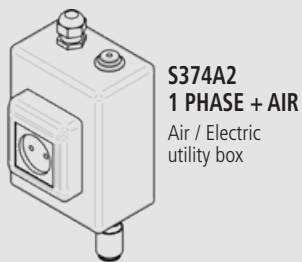
## SPECIAL VERSIONS Energy Set



VARxxxxxx / ENERGY  
1 PHASE + AIR  
Air / Electric utility box

SCHUKO  
220V/230V 1 PHASE

UNIVERSAL AIR  
CONNECTION M.3/8



S374A2  
1 PHASE + AIR  
Air / Electric  
utility box

### S121A2A



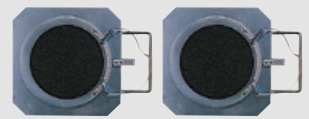
4xkit

Cavalletti per assetto / Alignment stands / Stative für Achsvermessung / Béquilles pour géométrie / Caballetes para alineado

### S110A7

Ø 310 mm (12.2")  
2x1000 kg (2x2200lbs)

## TURNTABLES

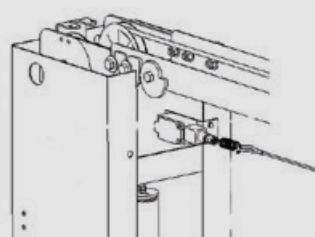


Piatti rotanti / Turntables / Drehplatten / Plateaux pivotants / Platos giratorios

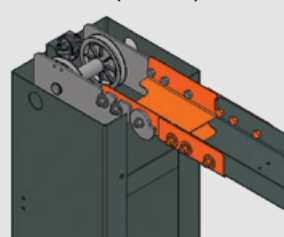
S370A20 (3 PHASE)  
S370A21 (1 PHASE)



### S370A1T



S370A4 (200 mm)  
S370A12 (200 mm)



Fincorsa / Limit switch / Endabschalter / Fin de course / Final de carrera

Estensione larghezza / Width extension / Verbreitung / Extension en largeur / Extensión de anchura