

SCANGRIP TRIPOD

03.5431



BRACKET TYPE

Bracket type 1

Bracket type 2

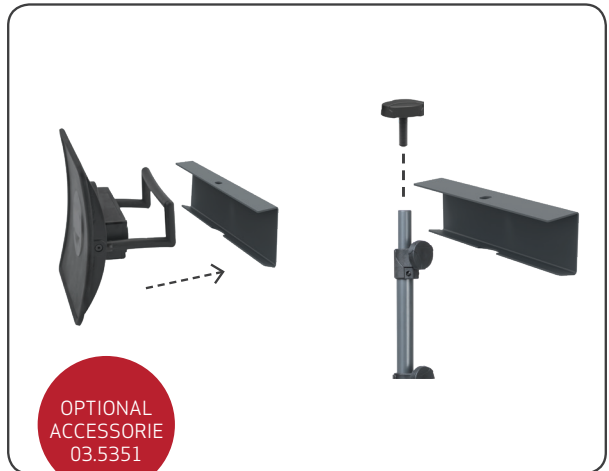
Bracket type 3



MOUNTING ON A TRIPOD

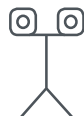
Bracket type 1 / 3

Bracket type 2



Optional accessories

DUAL BRACKET
Item no. **03.5308**

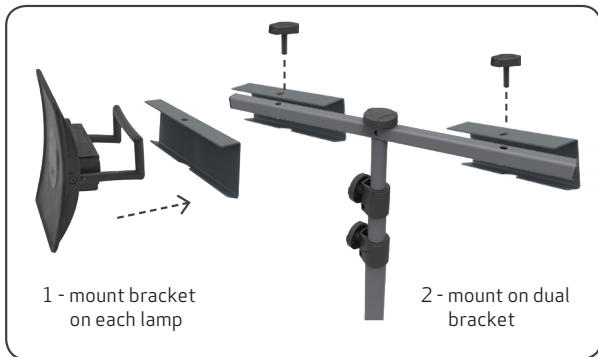


MOUNTING ON DUAL BRACKET

Bracket type 1 / 3



Bracket type 2



MANUFACTURER'S WARRANTY - Information for customers in Australia and New Zealand only

This SCANGRIP product is guaranteed for a period of 2 (two) years from date of purchase. This guarantee shall become invalid if the product has been misused, tampered with or accidentally damaged.

If the product is defective, we undertake to repair or replace the product or any part of it that is defective; or wholly or partly recompense you if they are defective.

This guarantee is in addition to other rights and remedies available to consumers, all of which are given by us to you if you are a consumer. Our goods come with guarantees that cannot be excluded under the Australian or New Zealand Consumer Law. You are entitled to a replacement or refund for a major failure and for compensation for any other reasonably foreseeable loss or damage. You are also entitled to have the goods repaired or replaced if the goods fail to be of acceptable quality and the failure does not amount to a major failure.

If you wish to make claim, please return this product to the original place of purchase together with your purchase receipt or go to our website www.scangrip.com and fill out the claim form.

SCANGRIP.COM



DESIGNED BY
SCANGRIP
IN DENMARK

V6/14.05.2018/KK